

MQ-E3

Fully Auto PP Woven Bag Packing Machine

Introduction Manual

Application scope



Coarse Grains



Nuts, Seeds



Pet feeds, Cat litter



Chemical Granulars

MQ-E3 Fully AutoPP Woven Bag Packaging Machine is an integrated equipment consisting of an automatic bag feeding machine, a quantitative packaging scale, a packaging main machine, and a bag sewing machine. It can realize fully automated processes including bag feeding, bag supplying, metering, filling, and bag sewing for quantitative packaging.

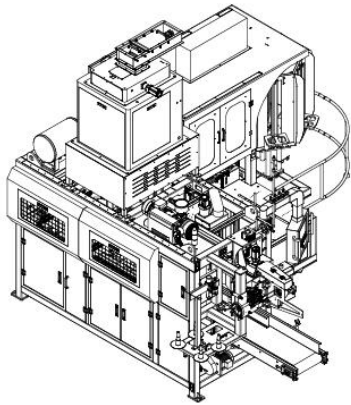
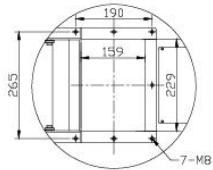
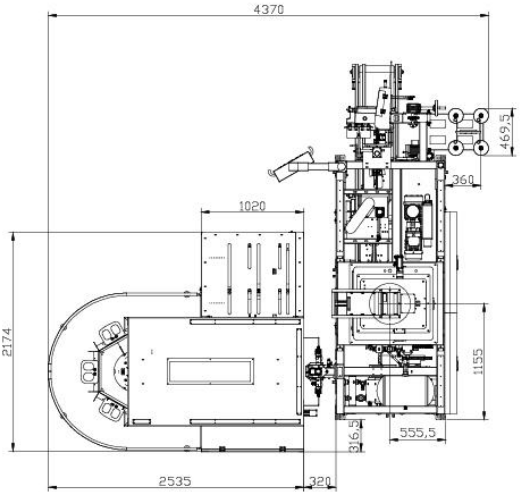
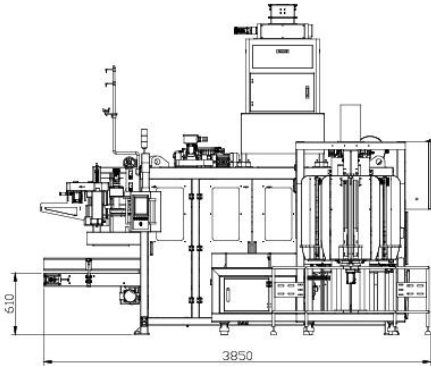
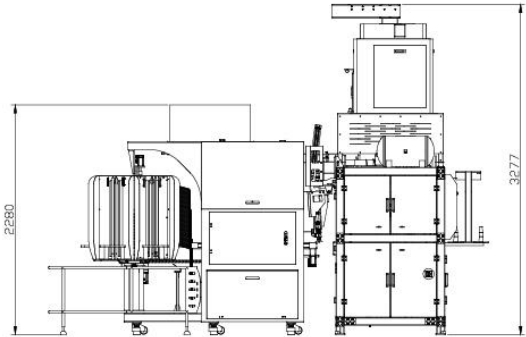
Performance characteristics

- ① High level of intelligence, capable of rejecting abnormal packaging bags at both the bag feeding machine and the main machine to ensure continuous operation of the equipment.
- ② Equipped with fault self-diagnosis and alarm prompting functions.
- ③ Utilizes memory formulas to store parameters for different specifications, allowing for convenient and hassle-free operation with just one-click formula switching.

Performance characteristics

- ④ Multiple servo controls ensure more stable production.
- ⑤ Ultra-large capacity bag magazine, capable of holding approximately 900 bags with handles, eliminating the need for frequent bag replenishment.

Equipment sample drawing



Equipment parameters

Model	MQ-E3 Fully Auto PP Woven Bag Packing Machine
Packing Range	5-25kg
Packing Capacity	500-700 bags/hour
Bag Type	M-shape side woven bag (double-sided laminated) Flat woven bag (double-sided laminated) Woven bag with hard handle (double-sided laminated)
Bag mouth sealing method	Sewn by sewing machine
Bag magazine capacity	500~600bags
Power Supply	AC380V Three-phase-five-wire system; 7KW
Air Consumption	0.6MPa; 0.5m ³ /min
Working Temperature	0~40°C
Equipment Dimensions(LxWxH)	3850*4370*3277mm

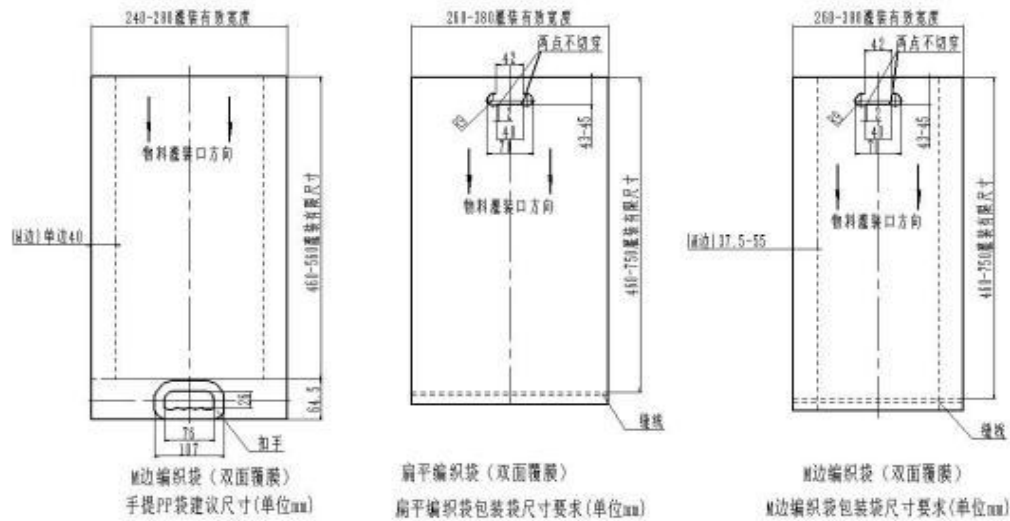
Finished product rendering



Color diagram of the equipment (subject to the actual product)



Packaging bag size range



Remarks:

① The bag material is a woven bag (double-sided laminated), with the bag opening being a cold-cut type.

② Sewing machine thread: 3×3-ply strong vinylon or polyester thread.

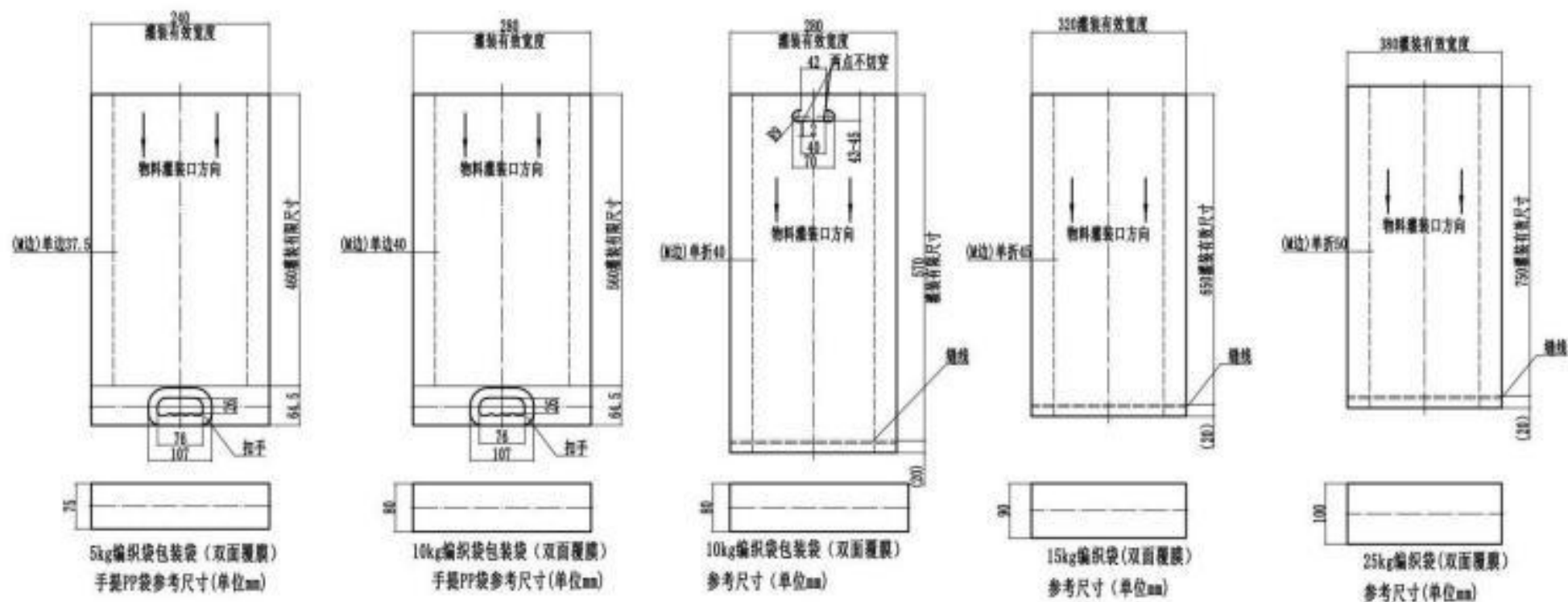
③ Requirements for woven bag packaging:

The packaging should be flat, with no corner creases or bends allowed.

For woven bags with handles, the position of the handle must meet the following criteria: the distance from the lower opening line of the handle to the bag opening should be between 43mm and 45mm, the width of the handle should be $70\text{mm} \pm 2\text{mm}$, and the length of the handle should be $17\text{mm} \pm 1\text{mm}$.

A diagram is provided for illustration. The woven bag should have a cold-cut opening and be double-sided laminated.

Suggested dimensions for the two-sided bag



Configuration list

Number	Component Name	Brand
1	Weighing Control Instrument	General Measure
2	PLC	INOVANCE
3	Weighing Sensor	Keli
4	Solenoid Valve	Mindman
5	Photoelectric Switch	Schneider (France)
6	Proximity Switch	Omron (Japan)
7	Cylinder	AirTAC
8	Touch Screen	MCGS
9	Servo Motor	INOVANCE
10	Relay	IDEC
11	Bag Sewing Machine	QingGong
12	Vacuum Pump	ZD (Shanghai)
13	Negative Pressure Gauge	KITA(Taiwan)

Thank you!